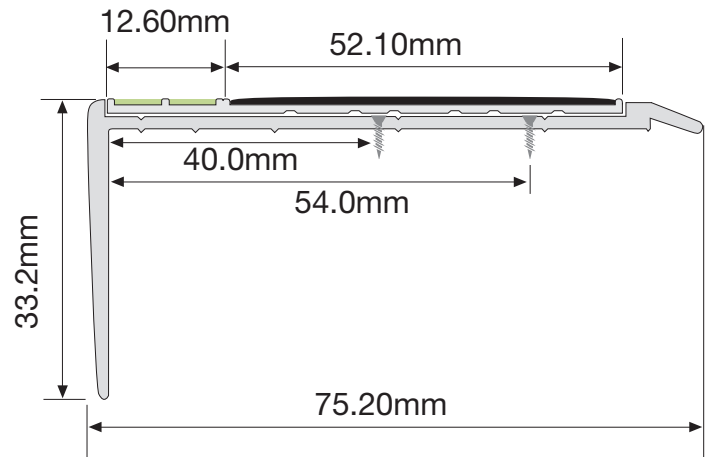
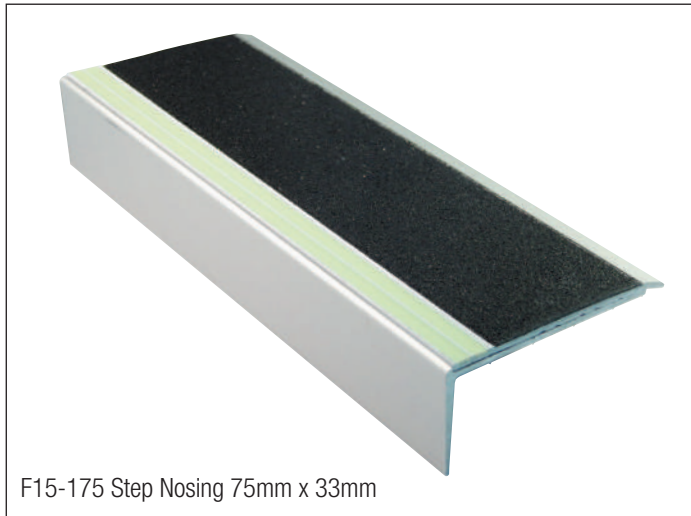


Product Data Sheet - Step Nosing F15-175

2024 V1



The F15-175 Step Nosing is designed to ensure visibility of steps in escape routes for compliance with International Fire Code (IFC), and any performance based building codes. The Step Nosing will be effective in all light conditions including during failure of the main lighting.

COMPLIANCE

Tested to UL 1994 specifications to meet IFC. This product has also been independently tested for use in Performance Solutions to meet the performance requirements of any performance based building codes.

The Step Nosing is suitable for use indoors and outdoors. The anti-slip material provides all weather protection from slips and falls.

Operating Temperature Range: -20°C to +40°C*

*For controlled environment (constant temperature) rooms below 0°C contact Ecoglo.

Anti-slip Properties – UL410 Standard for Slip Resistance for Floor Surface Materials

AS/NZS 4586-2004 Classification: Dry: F Wet: V Ramp: R12

AS 4586-2013 Classification: P5

UV Resistance - Loss of luminance after 1000 hrs ASTM G-155

Cycle 1 exposure: <10%

Salt Spray Resistance – ASTM B117: Pass

Washability – ASTM D4828: Pass

Rate of Burning – ASTM D635: Pass

Surface Flammability - ASTM E162: Pass

Toxicity - Bombardier Toxic Gas Generation Test SMP800-C: Pass

Radioactivity - ASTM D3648: Pass

High Temperature Curing: Pass

SUPPLY

The products are available in 100mm increments from 800mm to 1500mm to comply with IBC recommendations to mark the escape path on the front edge of the step to within 50mm of the wall or the side of the step. Custom lengths can also be fabricated on site from 2.45 metre and 3.06 metre lengths.

COMPOSITION

The F15-175 Step Nosing profile consists of 6063T6 aluminium extrusion, anodized (natural/silver colour) to 20 microns thickness.

Ecoglo E14-075 Step Edge Contrast is adhesively fixed into the extrusion. The high visibility E14-075 is manufactured from extruded 60605T aluminium section. Silicon Carbide anti-slip materials and custom made photoluminescent pigment are embedded in thermoset polyester carriers to integrally bond the active ingredients into the aluminium following curing at high temperature. The photoluminescent area is also recessed into protective channels.



INSTALLATION

The F15-175 Step Nosing can be used on a range of substrates including concrete, timber, tiles, vinyl, steel and checker plate. Uni clamp assemblies can be used for installation onto steel mesh steps.

Maximum recommended length for outdoor installation is 1500mm.

Installation needs to be carried out strictly in accordance with the Ecoglo installation instructions.

Consult Installation Instructions on website for full details and surface preparation.

PRODUCT CODE	PRODUCT DESCRIPTION	PRODUCT LENGTH
F15-175-800	Step Nosing 75mm x 33mm	800mm
F15-175-900	Step Nosing 75mm x 33mm	900mm
F15-175-1000	Step Nosing 75mm x 33mm	1000mm
F15-175-1100	Step Nosing 75mm x 33mm	1100mm
F15-175-1200	Step Nosing 75mm x 33mm	1200mm
F15-175-1300	Step Nosing 75mm x 33mm	1300mm
F15-175-1400	Step Nosing 75mm x 33mm	1400mm
F15-175-1500	Step Nosing 75mm x 33mm	1500mm

Contact

Ecoglo Customer Service

Email: InfoPHL@ecoglo.com

Customer Service Cell: +63 917 545 0090 (call / text / whatsapp / viber)

Operations & Administration Landline: +63 2 8802 4760

Website: www.ecoglo.ph