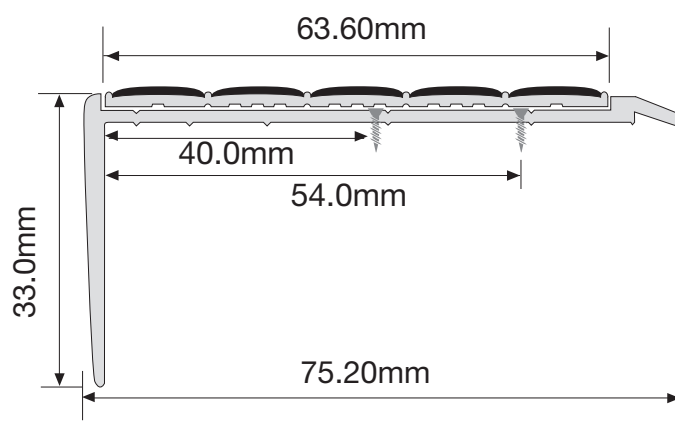
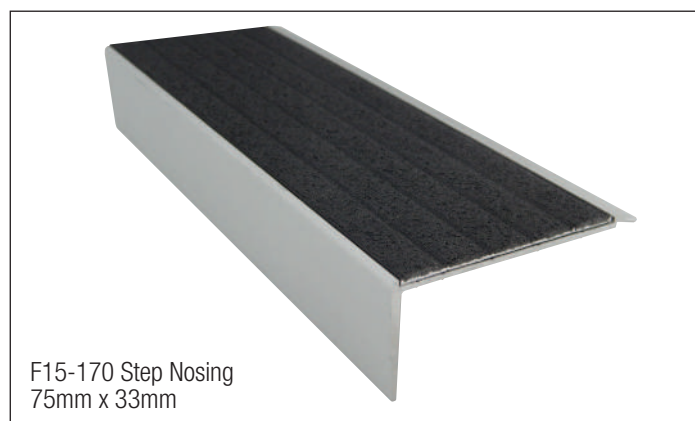


# Product Data Sheet - Step Nosing F15-170

2024 V2



**The F15-170 Step Nosing is designed to both define the step edge and help prevent slips and falls in all weather conditions.**

## COMPLIANCE

The Step Nosing is suitable for use indoors and outdoors. The anti-slip material provides all weather protection from slips and falls.

**Anti-slip Properties** – UL410 Standard for Slip Resistance for Floor Surface Materials

AS/NZS 4586-2004 Classification: Dry: F Wet: V Ramp: R12

AS 4586-2013 Classification: P5

**Salt Spray Resistance** – ASTM B117: Pass

**Washability** – ASTM D4828: Pass

**Rate of Burning** – ASTM D635: Pass

**Surface Flammability** - ASTM E162: Pass

**Toxicity** - Bombardier Toxic Gas Generation Test SMP800-C: Pass

**Radioactivity** – ASTM D3648: Pass

## SUPPLY

The product is available in 100mm increments from 800mm to 1500mm. Custom lengths can also be fabricated on site from 2.45 metre and 3.06 metre lengths.

## COMPOSITION

The F15-170 Step Nosing profile consists of 6060T5 aluminium extrusion, anodized (natural/silver colour) to 20 microns thickness.

Ecoglo N5-070 Step Edge Contrast is adhesively fixed into the extrusion. The insert is manufactured from extruded 6063T5 aluminium section. Silicon Carbide anti-slip materials are embedded in thermoset polyester carriers to integrally bond the active ingredients into the aluminium following curing at high temperature.



## INSTALLATION

The F15-170 Step Nosing is installed with hidden fixers and can be used on a range of substrates including concrete, timber, tiles, vinyl, steel and checker plate. Uni clamp assemblies can be used for installation onto steel mesh steps.

Maximum recommended length for outdoor installation is 1500mm.

Installation is a two-step process and needs to be carried out strictly in accordance with the Ecoglo installation instructions.

Consult Installation Instructions on website for full details and surface preparation.

PRODUCT CODE	PRODUCT DESCRIPTION	PRODUCT LENGTH
F15-170-800	Step Nosing 75mm x 33mm	800mm
F15-170-900	Step Nosing 75mm x 33mm	900mm
F15-170-1000	Step Nosing 75mm x 33mm	1000mm
F15-170-1100	Step Nosing 75mm x 33mm	1100mm
F15-170-1200	Step Nosing 75mm x 33mm	1200mm
F15-170-1300	Step Nosing 75mm x 33mm	1300mm
F15-170-1400	Step Nosing 75mm x 33mm	1400mm
F15-170-1500	Step Nosing 75mm x 33mm	1500mm

## Ecoglo Customer Service

Email: [InfoPHL@ecoglo.com](mailto:InfoPHL@ecoglo.com)

Customer Service Cell: +63 917 545 0090 (call / text / whatsapp / viber)

Operations & Administration Landline: +63 2 8802 4760

Website: [www.ecoglo.ph](http://www.ecoglo.ph)