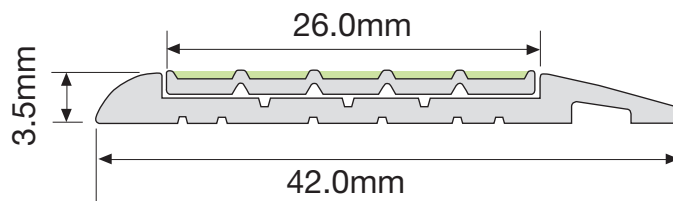
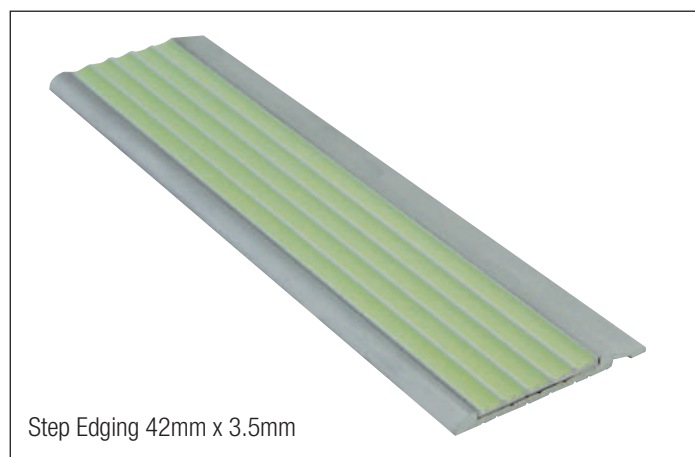


Product Data Sheet - Step Edging T2-103

2024 V2



The T2-103 Step Edging is designed to ensure visibility of steps in escape routes for compliance with NFPA 101 Life Safety Code (NFPA) and International Fire Code (IFC), and any performance based building codes. T2-103 can be used on steps in the following ways: (1) to mark the front edge of steps; (2) to mark the sides of steps. The Step Edging will be effective in all light conditions including during failure of the main lighting.

COMPLIANCE

Tested to UL 1994 specifications to meet the requirements of NFPA 101 and IFC. This product has also been independently tested for use in Performance Solutions to meet the performance requirements of any performance based building codes.

The Step Edging is suitable for indoor use only.

Operating Temperature Range: -10°C to +40°C*

* For controlled environment (constant temperature) rooms below 0°C contact Ecoglo.

Anti-slip Properties - UL410 Standard for Slip Resistance for Floor Surface Materials: Pass

UV Resistance - Loss of luminance after 1000 hrs ASTM G-155 Cycle 1 exposure: <10%

Salt Spray Resistance – ASTM B117: Pass

Washability – ASTM D4828: Pass

Rate of Burning – ASTM D635: Pass

Surface Flammability - ASTM E162: Pass

Toxicity - Bombardier Toxic Gas Generation Test SMP800-C: Pass

Radioactivity - ASTM D3648: Pass

High Temperature Curing: Pass

SUPPLY

The product is available in 100mm increments from 800mm to 1500mm to mark the escape path on the front edge of the step to within 50mm of the wall or side of the step. Custom lengths can also be cut on site from 3.06 metre lengths.

COMPOSITION

The Step Edging profile consists of 6063T6 aluminium extrusion, anodized (silver colour) to 12 microns thickness.

Ecoglo G6-003 is adhesively fixed into the extrusion. The high visibility G6-003 is manufactured from extruded 60605T aluminium section. Custom made photoluminescent pigments are embedded in thermoset polyester carriers to integrally bond the active ingredients into the aluminium following curing at high temperature. The photoluminescent area is also recessed into protective channels.



INSTALLATION

The T2-103 Step Edging can be used on a range of substrates including concrete, timber, tiles and vinyl.

Installation needs to be carried out strictly in accordance with the Ecoglo installation instructions.

Consult Installation Instructions on website for full details and surface preparation.

PRODUCT CODE	PRODUCT DESCRIPTION	PRODUCT LENGTH
T2-103-800	Step Edging 42mm x 3.5mm	800mm
T2-103-900	Step Edging 42mm x 3.5mm	900mm
T2-103-1000	Step Edging 42mm x 3.5mm	1000mm
T2-103-1100	Step Edging 42mm x 3.5mm	1100mm
T2-103-1200	Step Edging 42mm x 3.5mm	1200mm
T2-103-1300	Step Edging 42mm x 3.5mm	1300mm
T2-103-1400	Step Edging 42mm x 3.5mm	1400mm
T2-103-1500	Step Edging 42mm x 3.5mm	1500mm

Contact

Ecoglo Customer Service

Email: InfoPHL@ecoglo.com

Customer Service Cell: +63 917 545 0090 (call / text / whatsapp / viber)

Operations & Administration Landline: +63 2 8802 4760

Website: www.ecoglo.ph