

*Installation Instructions For*

**L Marker** S5-LM22080  
**Side of Steps Marker**

*Ecoglo markers are to be installed only where there will be sufficient natural or artificial light to keep them charged whenever the building is occupied.*

*If unsure, contact Ecoglo*

# L Marker S5-LM22080 Side of Steps Marker

## Preparation of Surface

- Thoroughly clean the surface with industrial strength cleaner if necessary.
- Allow surface to dry.
- If painted or coated, remove using an angle grinder with abrasive flap disc.
- Brush/vacuum off the dust.
- Wipe surface with acetone.



## Alignment of the Markers

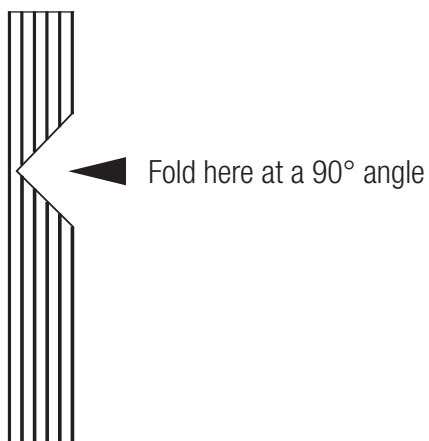
- Mark 5mm in from the left edge and right edge of each step.

## Preparation of the Marker

- Clean the back of the marker with a soft cloth and if necessary use methylated spirits (or similar solvent) to remove any oil or grease.
- Allow to dry for approximately 1 minute.

## Folding of the Marker

- Carefully fold the marker where indicated at a 90° angle  
**WARNING** - it is important that folding is done correctly and once only to reduce the risk of breaking the marker.



## Applying the Adhesive

- Apply a 3mm zigzag bead of polyurethane adhesive (such as Wurth KD Bond and Seal or Bostik Seal n Flex FC) to the back of the marker, 3mm in from all edges.

*Ecoglo can supply Wurth KD Bond and Seal in 600ml Sausage form with Applicator Gun.*

## Placement of the Marker

- Line up the strip carefully with your alignment marks ensuring the marker is straight.



## Apply Pressure to the Marker

- Apply even pressure to spread the adhesive beneath the marker using a hand roller.
- If necessary, stand on each marker to ensure good contact between the marker and the step.

## Allow the Adhesive to Cure

- Immediately following installation close off the area for a period of 8 hours to avoid the Ecoglo marker being moved whilst the adhesive is in the early stages of "cure".
- Wait until adhesive has fully cured (allow at least 24 hours) before trimming any excess from each marker with a sharp blade.